



**HIRED-HAND®**

# INSTALLATION INSTRUCTIONS

## Control Box Lid Replacement



Kit Part Number	Description
6450-5905	/Kit PC VS LID REPL 18" 120V
6450-5906	/Kit PC VS LID REPL 18" 240V
6450-5909	/Kit PC VS LID REPL 36" 240V

Kit Part Number	Description
6450-5907	/Kit PC VS LID REPL 24/36 120V
6450-5908	/Kit PC VS LID REPL 24" 240V

Tools Required	Phillips Head Screwdriver
----------------	---------------------------



### WARNING

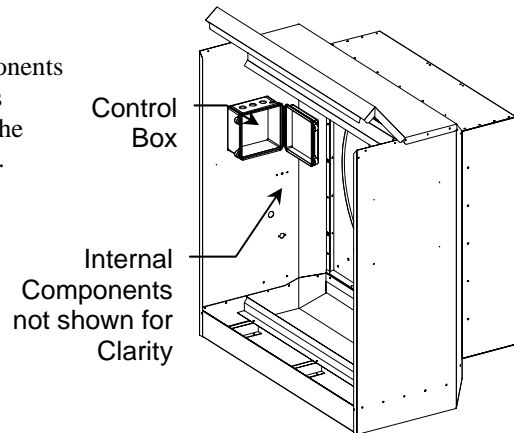
- Disconnect all Electrical power to this equipment before servicing.

### DESCRIPTION

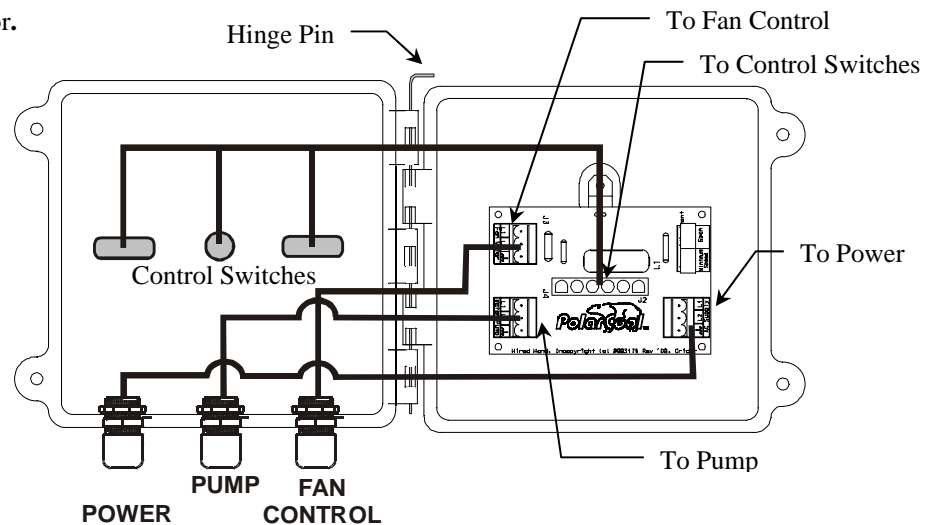
This kit is provided to replace the Control Box Lid and internal components for a 18", 24" and 36" Variable Speed PolarCool unit. When the kit is received, check for shipping damage or missing parts and verify that the Lid Kit matches the fan size and supply voltage of the PolarCool Unit.

### INSTALLATION

- (1) Disconnect all electrical power from the PolarCool™.
- (2) Open the PolarCool top cover and remove at least two pads from the left side of the Unit. See Figure 1.
- (3) Open the Control Box and remove the front cover by removing the Hinge Pin. See Figure 2.
- (4) Pull out all four of the connectors from the circuit board on the Control Box Door. Note the specific plug from which each connector was removed. If necessary label each cable assembly.
- (5) Dispose of the old Control Box Door.
- (6) Attach the New Door using the Hinge Pin removed in Step 3.
- (7) Re-connect the four cable connectors removed in Step 4.
- (8) Close and fasten the Control Box Door.
- (9) Installation Complete



**Figure 1 – PolarCool Control Box**



**Figure 2 – Re-Route Cables & Connectors**

NOTE: The POWER, PUMP & FAN CONTROL connectors are located on the side of the Control Box on the 18" PolarCool Model.



## Control Box Lid Replacement

**HIRED-HAND<sup>®</sup>**