



Directions for Installing PolarCool Wall Mount Kit

⚠ Warning!

Disconnect All Electrical Power Sources Before Installing the Wall Mount Kit.

Tool Required

9/16" Wrenches Level Wall Fasteners Tape Measure Cutting Tools

Description

This kit mounts the PolarCool Cabinet on a vertical wall. This manual covers the Wall Mount Kit Part No. 6450-9952.

Directions

1 See Figure 1. Cut hole in wall measuring 43" (1.09 m) by 43" (1.09 m). A wall girt should be flush with the bottom of the wall opening. The bottom of the opening should be a minimum of 5 feet (1.52 m) above the floor. An additional wall girt must be present within 5 feet (1.52 m) of the bottom of the opening.

2 From Figure 2 identify the Right and Left Side Brackets and assemble with hardware as shown in Figure 3.

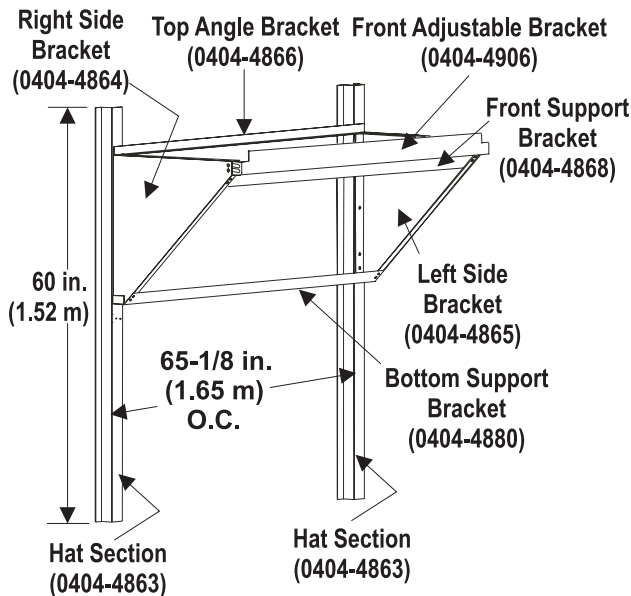


Figure 2 – Assembled Wall Mount

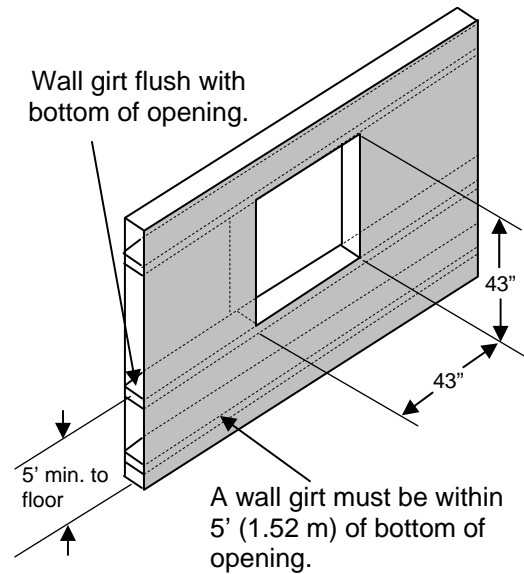


Figure 1 - PolarCool Opening Requirements

3 See Figure 3. Assemble the Front Support Bracket, the Top Angle Bracket and the Bottom Support Bracket with 3/8" cap screws and lock nuts.

NOTE1: The Front Support Bracket fits inside the Side Brackets.

NOTE 2: Do not install the Front Adjustable Bracket until the PolarCool unit is lifted in place.

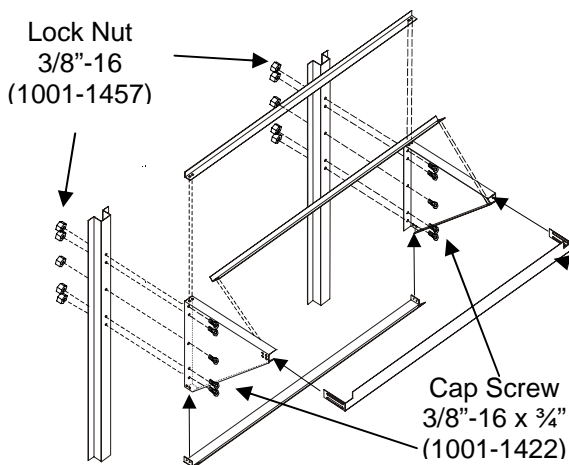
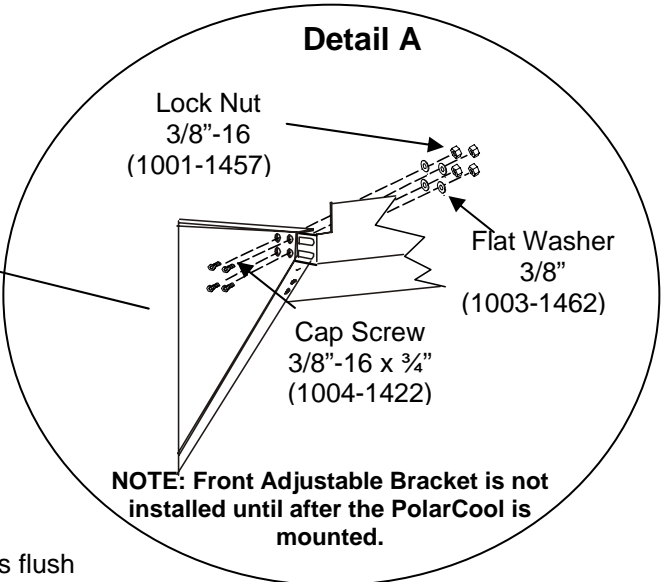


Figure 3 – Bracket Assembly



4 Position the top edge of the Hat sections flush with the bottom of the wall opening. Center wall mount assembly in opening. Level the Wall Mount Assembly and attach firmly to wall. See Figure 4. Wall fasteners are not provided in the Wall Mount Kit.

5 Bracket/Wall connections must be sufficient to resist a working load of 750 pounds (340 KG) vertical shear on both girts and 900 pounds (408 KG) pull-out on the upper girt. See Figure 5. RollSeal assumes no responsibility for inappropriate connections.

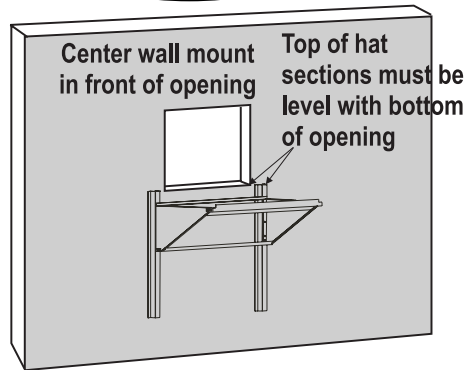


Figure 4 – Flush Wall Mount

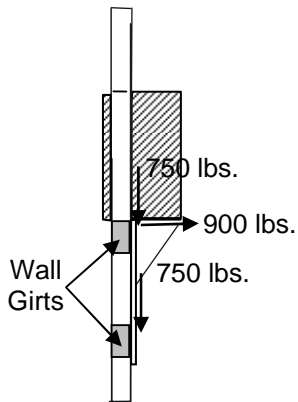


Figure 5- Sheer Strength Requirements

⚠ Caution !

Due to the weight of the PolarCool cabinet, proper lifting apparatus must be employed!

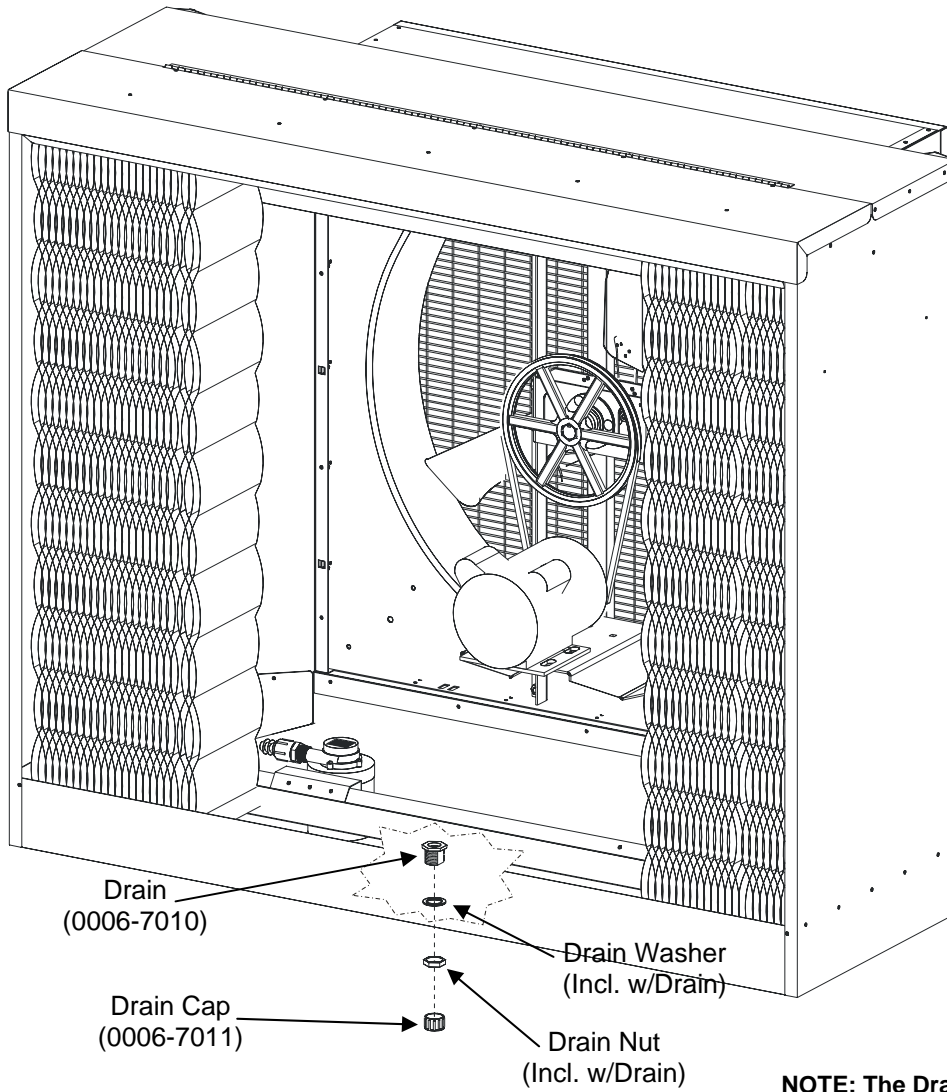
6 Position the PolarCool atop the Wall Mount Bracket. Slide the Front Adjustable Bracket against the front of the PolarCool cabinet. Secure with 3/8" cap screws, washers, and nuts as shown in Detail A above. Appropriate sealing tape or weather seal should be placed around the PolarCool cabinet.

⚠ Note !

No flashing, weather seal, or tape is supplied with PolarCool Wall Mount Kit.

7

Install the supplied Drain, Nut, Washer (0006-7010), and Drain Cap (0006-7011) in the predrilled hole. See Figure 6.



NOTE: The Drain Plug Assembly should not be installed until after the PolarCool is mounted.

Figure 6 – Drain Plug Assembly

8

For the remainder of the installation, proceed to the PolarCool User Manual Part No. 4801-5035 and/or to the Installation Manual for the PolarCool Remote Control Box Part No. 4801-5202.



Directions for



Installing PolarCool Wall Mount Kit