

PolarCool External Control Box

WARNING

Disconnect All Electrical Power Sources Before Installing External Control Box

Tools Required

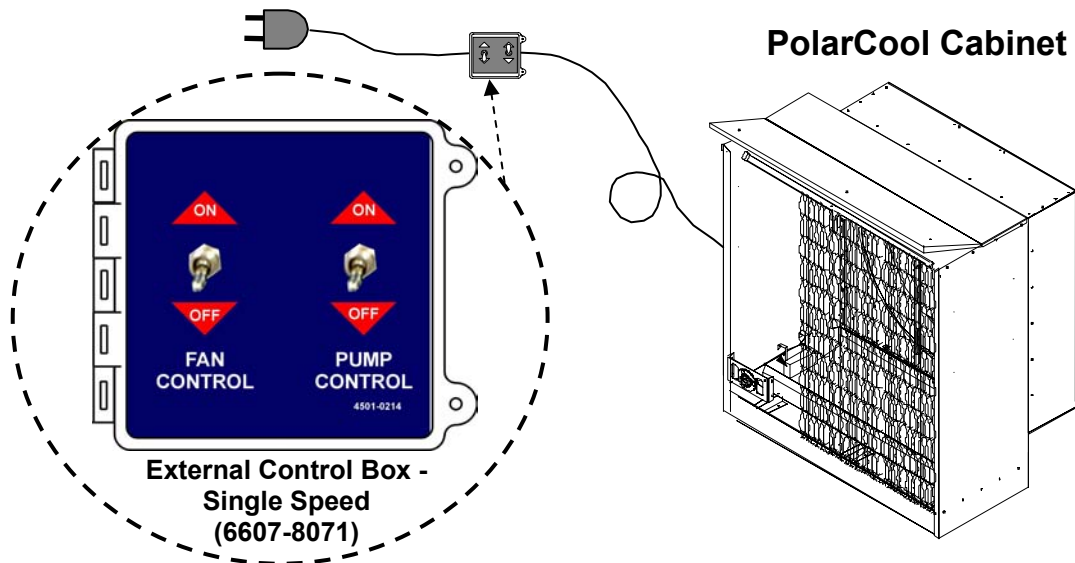
Cordset Kit Wire Strippers Crimping Pliers Phillips Screwdriver Flat Head Screwdriver

Description

This kit relocates the PolarCool fan and pump control switches to an external control box as illustrated in the diagram below. This manual covers the Remote Control Box Kit for Single Speed, Part No. 6607-8071 and Remote Control Box Kit for Dual Speed, Part No. 6607-8072.

Directions For Single Speed Control (6607-8071)

- 1** • Disconnect all electrical power.
• Open the top cover.
• Remove two or three of the evaporative pads on the left of the unit to allow access to the existing control box.



NOTE: Since the existing power cord is to be reused, carefully follow Step 2 so as not to damage or cut the power cord during removal from the cabinet.

- 2** • Make sure all electrical power is disconnected!
• Open the existing control box at the top of the interior of the PolarCool cabinet.
• Cut the incoming power cord (two conductor plus ground) inside the existing control box.
• Completely remove the existing power cord from the PolarCool cabinet.

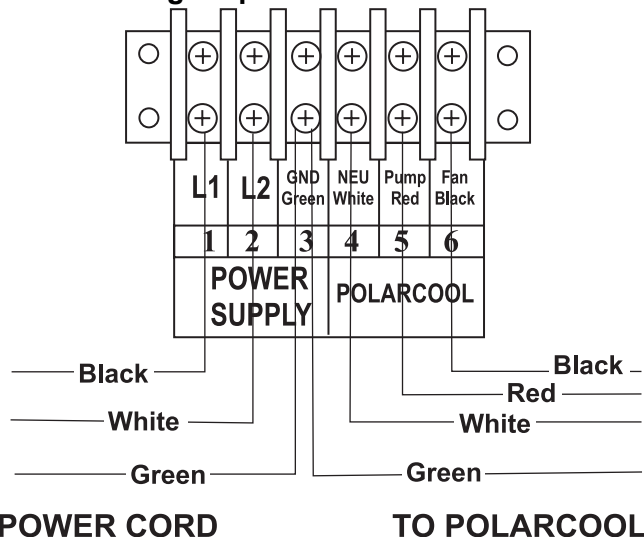
- 3 • Run the new 4-conductor cable from the existing control box in the PolarCool cabinet, through the cable connector, into the External Control Box.
- Disconnect the wires from switches (or circuit board if converting a variable speed unit) in the existing control box. Connect wires as shown in diagram at right.

NOTE: The existing switches may be left in place, however, if removed, the holes should be plugged.

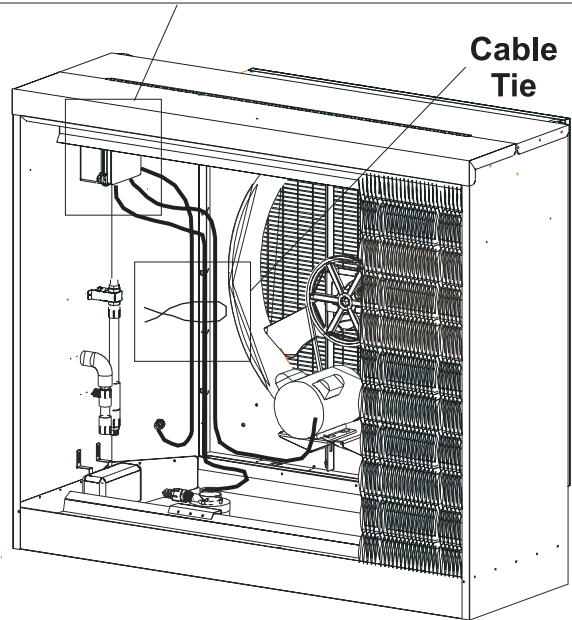
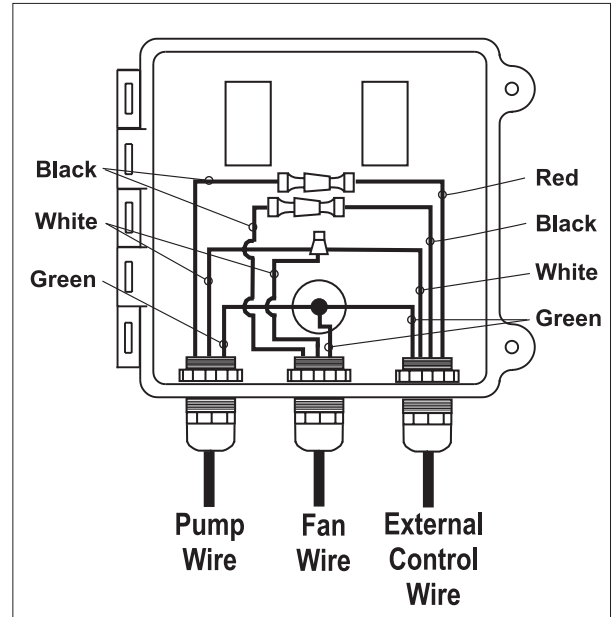
NOTE: If using an External Control Box with a Variable-Speed PolarCool, the PolarCool will function as a single speed.

- 4 • Tie the 4-conductor, pump and motor cables to the cabinet to prevent movement of the cable during operation.
- 5 • Replace the evaporative pads removed in Step 1 and secure the top of the PolarCool cabinet.
- 6 • Mount the External Control Box in the desired location taking into account the distance between the External Control Box and the PolarCool cabinet must be reached with the supplied 4-conductor cable.
- 7 • In the External Control Box connect the 4-conductor cable to the lugs as shown in diagram below. Then connect the power cord removed in Step 2 to the lugs as shown. Check the power cord for abrasions or cuts. Discard and replace if necessary.
- 8 • Installation of Single-Speed External Control (6607-8071) complete.

PolarCool External Control Box Single-Speed Connections

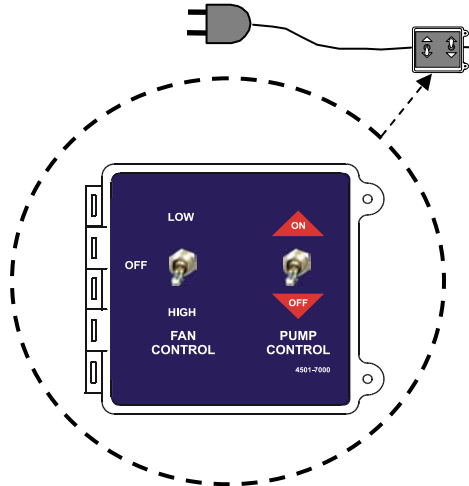


New Wiring Of PolarCool Existing Control Box For Single Speed Control



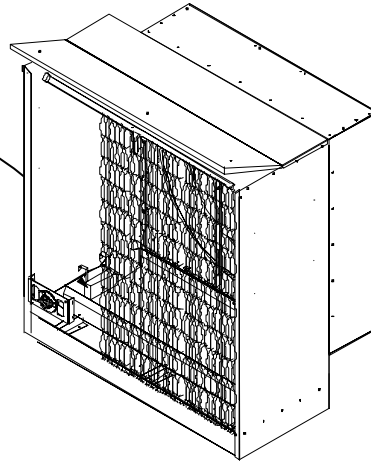
Directions For Dual Speed Control (6607-8072)

- 1
 - Disconnect all electrical power.
 - Open the top cover.
 - Remove two or three of the evaporative pads on the left of the unit to allow access to the existing control box.



**External Control Box
(Dual Speed)**

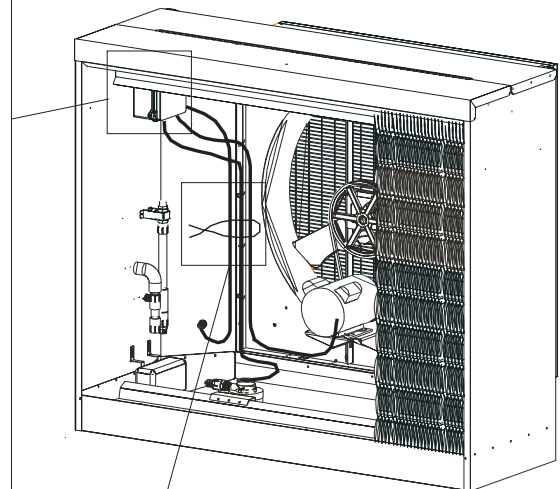
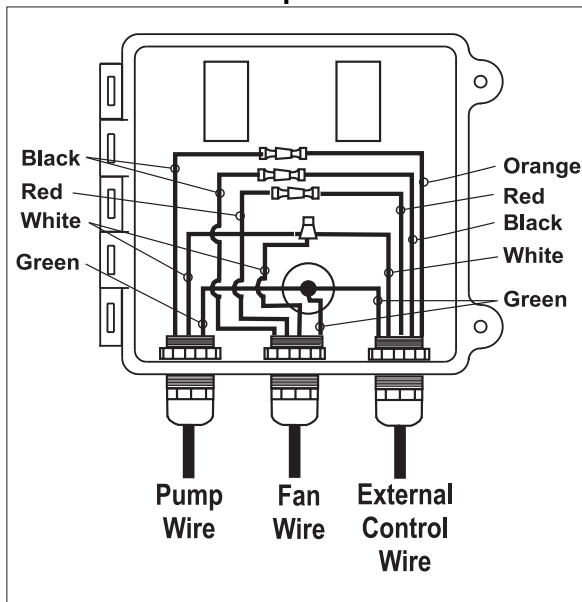
PolarCool Cabinet



NOTE: Since the existing power cord is to be reused, carefully follow Step 2 so as not to damage or cut the power cord during removal from the cabinet!

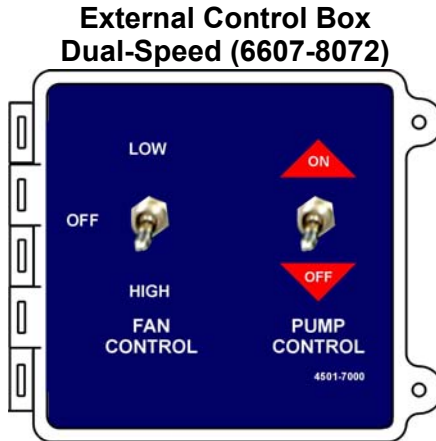
- 2
 - Make sure all electrical power is disconnected!
 - Open the existing control box at the top of the interior of the PolarCool cabinet.
 - Cut the incoming power cord (two conductor plus ground) inside the existing control box.
 - Completely remove the existing power cord from the PolarCool cabinet.
- 3
 - Run the new 5-conductor cable from the existing control box in the PolarCool cabinet, through the cable connector, into the External Control Box.
 - Disconnect the wires from switches in the existing control box. Connect wires as shown in diagram at lower left.
 - NOTE: The existing switches may be left in place, however, if removed, the holes should be plugged.

New Wiring Of PolarCool Existing Control Box For Dual-Speed Control



Cable Tie

- 4 • Tie the 5-conductor, pump, and motor cables to the cabinet to prevent movement of the cable during operation.
- 5 • Replace the evaporative pads removed in Step 1 and secure the top of the PolarCool cabinet.
- 6 • Mount the External Control box in the desired location taking into account the distance between the External Control Box and the PolarCool cabinet must be reached with the supplied 5-conductor cable.



- 7 • In the External Control Box connect the 5-conductor cable to the lugs as shown in diagram below.
 - Then connect the power cord removed in Step 2 to the lugs as shown.
 - Check the power cord for abrasions or cuts.
 - Discard and replace if necessary.
- 8 • Installation of Dual-Speed External Control (6607-8072) complete.

