



PUMP REPLACEMENT



INSTRUCTIONS

1. Disconnect all electrical power to PolarCool. (i.e. Unplug power cord).
2. Remove cooling pads.
3. Refer to Figure 3 at lower right. Open electrical wiring box.
4. For Single speed pump, refer to Figure 1 below. For variable speed pump, refer to Figure 2 below. Carefully disconnect pump wires only from terminals. Pull wires through conduit and out of electrical box. Unbundle pump power cord from other cords so that pump can be removed.
5. Disconnect water hose from pump. Keep clamp for later use in Step 11.

WARNING!

Before Installing Pump, Disconnect All Electrical Power To PolarCool!

KITS	
6422-0610	/KIT PC 18" Pump Replace 120V
6422-0611	/KIT PC 18" Pump Replace 230V
6422-0615	/KIT PC 36" Pump Replace 120V
6422-0617	/KIT PC 48" Pump Replace 230V
Kits include pump, mounting bracket and hardware	

Figure 1 - Single Speed Pump

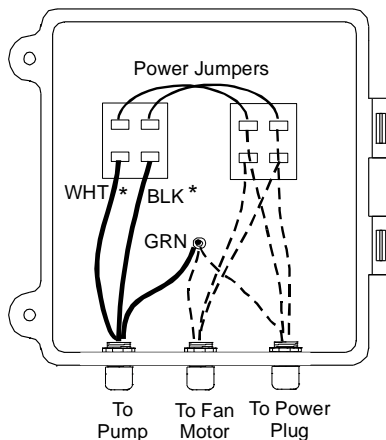
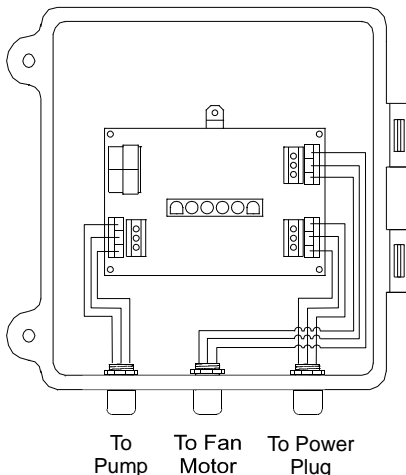
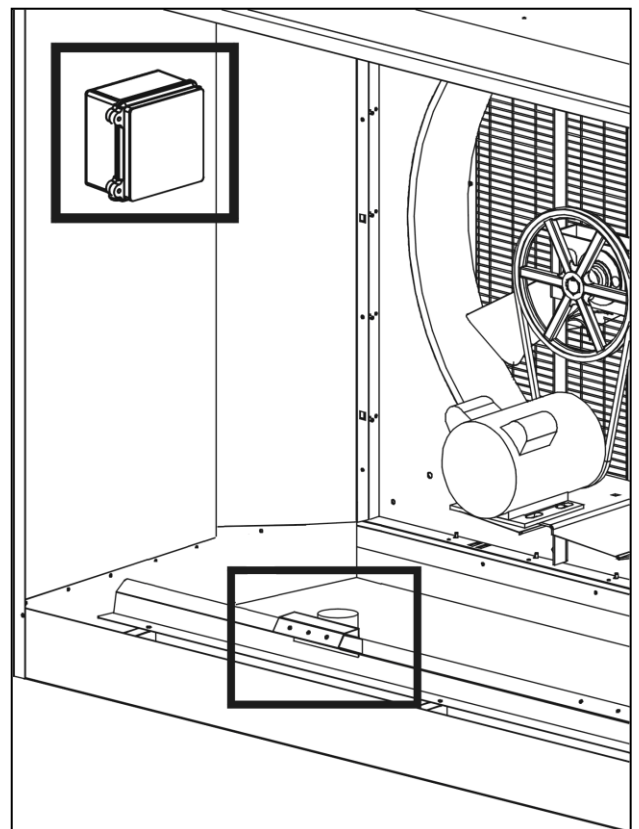


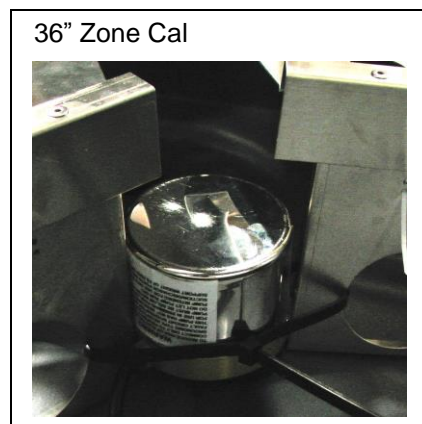
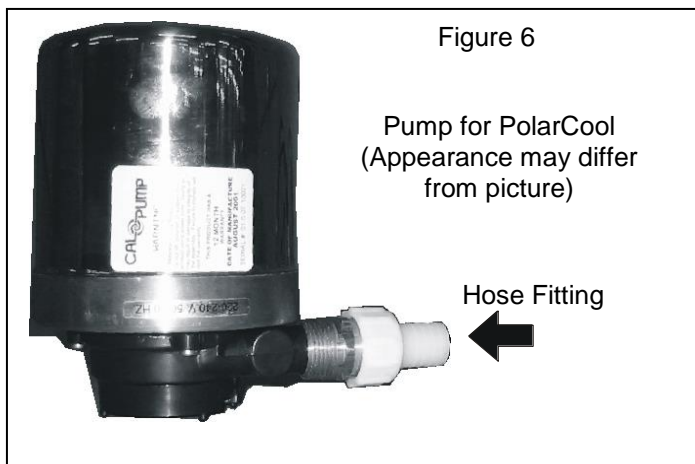
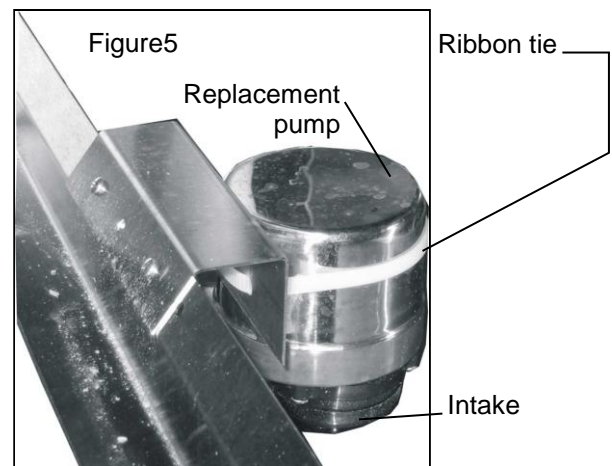
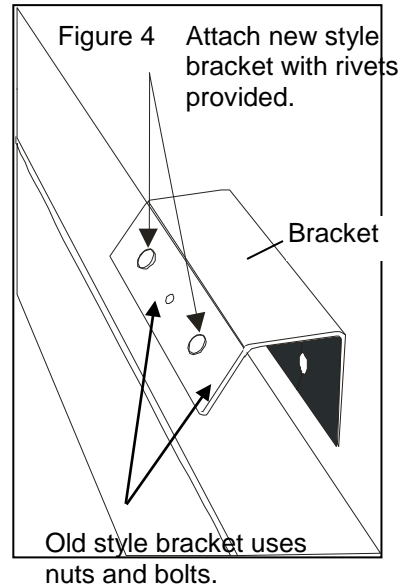
Figure 2 - Variable Speed Pump



Tools Required	
Phillips Head Screwdriver	Small Flat Head Screwdriver
Wire Pliers	Wire Cutter



- 6A. For the old style pump see Figure 4. Loosen screws and nuts holding the old style bracket. Remove old pump and bracket.
- 6B. For the new style pump see Figure 4. Cut the ribbon tie and remove pump.
7. Attach new bracket, if required, with rivets provided as shown in Figure 4.
8. Set pump on floor of PolarCool in front of bracket. NOTE: Make sure intake side of pump is at bottom.
9. Insert a ribbon tie, provided, through two holes of bracket.
10. Wrap ribbon tie around pump as shown in Figure 5. Securely tighten ribbon tie to anchor pump into position.
11. Attach water hose to hose fitting on pump. See Figure 6.
12. Make sure all electrical power is disconnected from PolarCool. Stretch out pump power cord. Insert pump power through conduit of electrical box to inside of electrical box.



13. Connect pump power cord to terminals of electrical box as shown in wiring Diagrams. See Figures 7 or 8.
14. Close electrical box and securely tighten lid of electrical box.
15. Bundle pump power cord with other cords using ribbon ties.
16. Reconnect power and water.
17. Test new pump for proper operation.
18. Replace cool pads.
19. Installation complete.

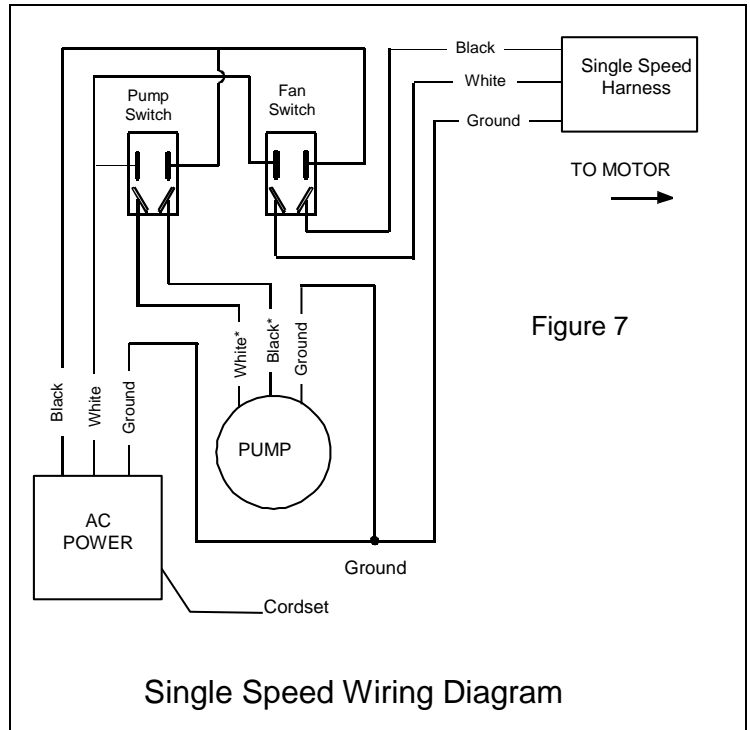


Figure 7

* : When wiring Little Giant Pumps, (part # 6422-0612, 6422-0614, and 6642-0615) the Black and White wires are Blue and Tan, respectively. Compare with 'Kits' list on page 1.

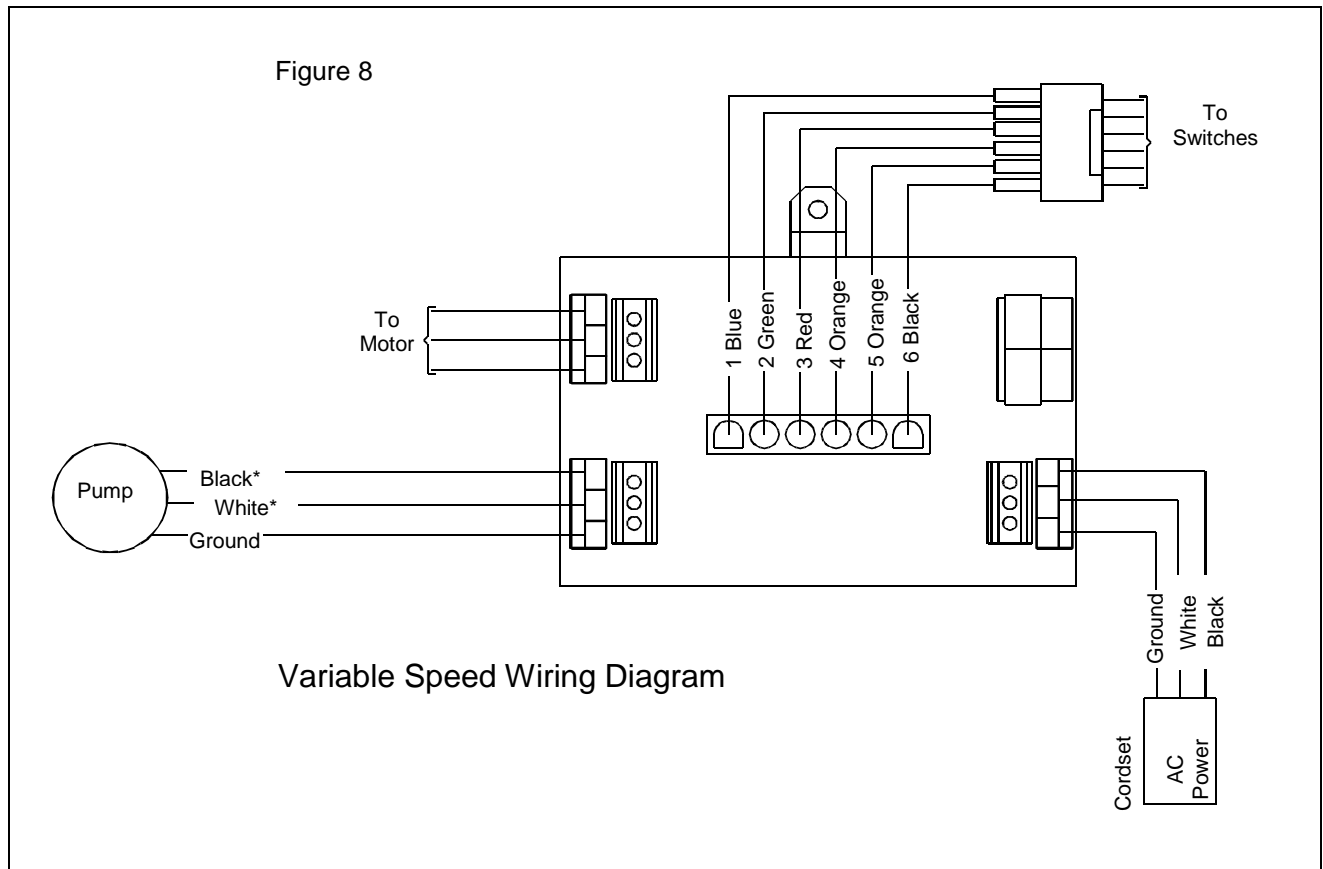


Figure 8

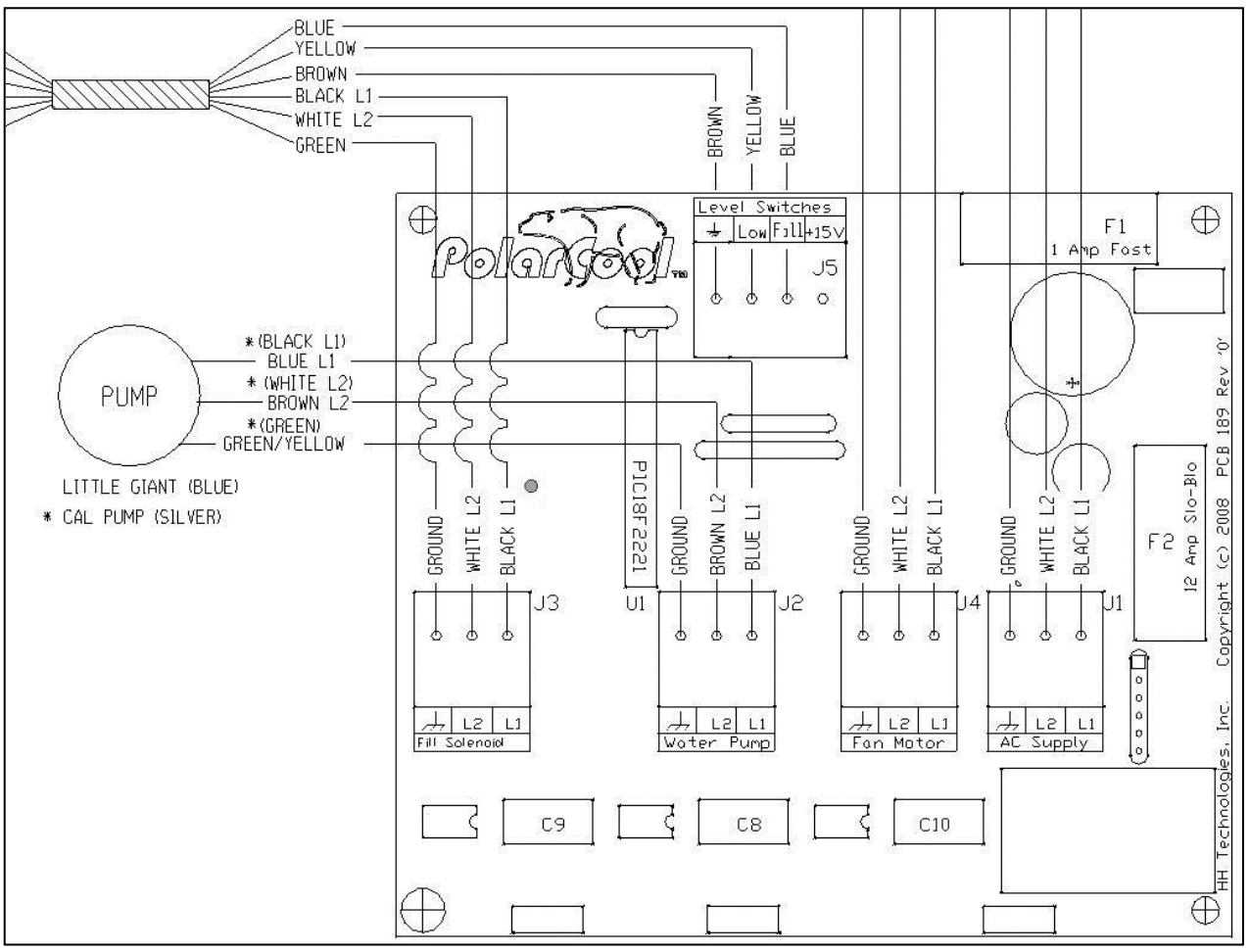
Variable Speed Wiring Diagram

* : When wiring Little Giant Pumps, (part # 6422-0612, 6422-0614, and 6642-0615) the Black and White wires are Blue and Brown, respectively. Compare with 'Kits' list on page

Little Giant PolarCool Pump



* : When wiring Little Giant Pumps, (part # 6642-0615) the Black and White wires are Blue and Brown, respectively. Compare with 'Kits' list on page 1.



PUMP REPLACEMENT

