



18" PolarCool Caster Installation

Warning!

PolarCool Appliance Is Heavy!
When Installing Wheels, Provide Adequate Support To Maintain Balance Of Appliance!

Warning!

Ensure All Electrical Power Sources Are Disconnected Before Assembly!

Required Items

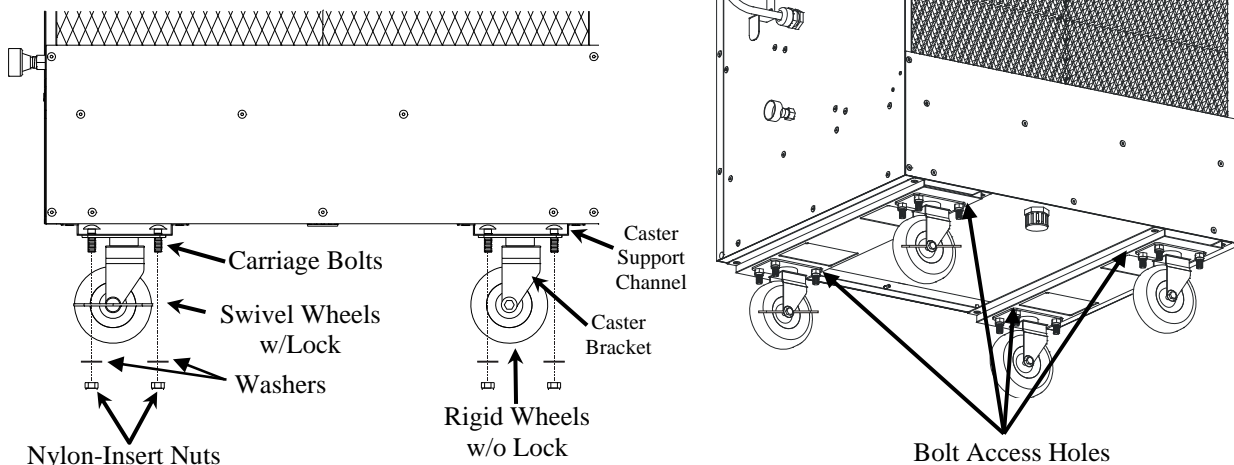
6450-4000 18" PolarCool Caster Kit

5/16" Wrench

6450-4000 18" PolarCool Caster Kit Parts List

Description	Quantity	Description	Quantity
Swivel Wheels	2	5/16 Washers	16
Rigid Wheels	2	5/16-18 Nylon Insert Nuts	16
5/16-18 x 3/4" Carriage Bolt	16		

- Carefully unpack the PolarCool from the shipping carton.
- Place wheel bracket against the caster support channel as shown below.
- Align holes and attach 5/16-18 x 3/4" carriage bolts, 5/16 washers, and 5/16-18 nylon-insert nuts as shown below.
- Repeat for all four casters.



RollSeal, Inc. • 1733 County Road 68 • Bremen, Alabama 35033 • 256-287-7000